

ID TECHNOLOGY®

iCON 2

CO2 Laser Coder



The Small Character
Laser Coding
Solution

Everything you expect in a laser
coding system - except the price!

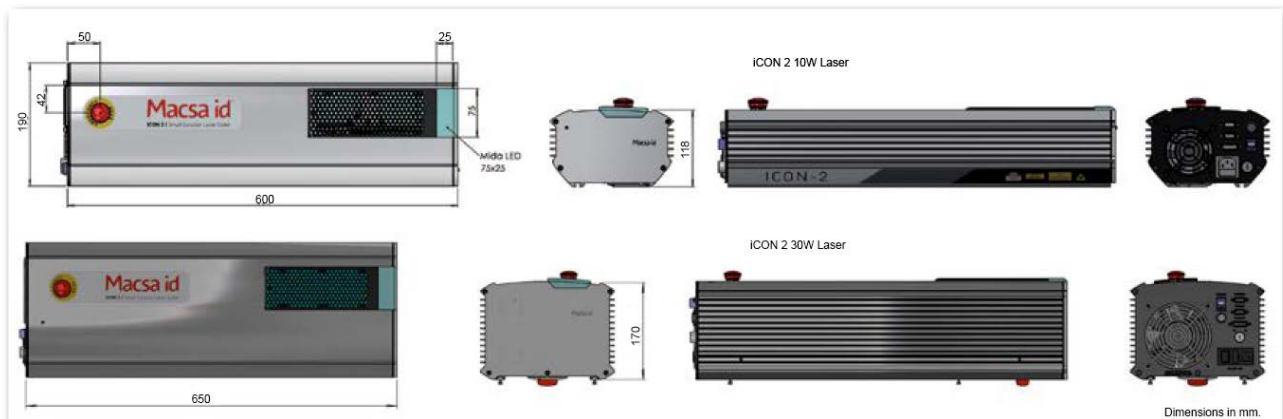
Available in 10W and 30W versions.

L&C

**LABELING
& CODING**

iCON 2

CO2 Laser Coding System



Dimensions in mm.

SYSTEM TYPE	iCON 2-10		iCON 2-30	
POWER	10W		30W	
WAVELENGTH	10.6µm			
MAINS SUPPLY	115V / 230 V 50/60 Hz		(1 Phase + N) 650VA	
DIMENSIONS (AxBxC)	603 x 118.5 x 190		725 x 186 x 237	
WEIGHT	Net weight: 10Kg Gross weight: 12Kg		Net weight: 22Kg Gross weight: 25Kg	
SYSTEM	Laser, scanners, power supply units, control electronics and CPU in the laser system			
OPTICS	Beam diameter (µm)	Power density (kWcm ²)	Beam diameter (µm)	Power density (kWcm ²)
	<324 -S	24.3	<324 -S	24.3
	m: microns E: Standard O: Optional Built for marking at 90°			
SOFTWARE	<ul style="list-style-type: none"> ScanLinuxV5.3.8 and higher Marca Lite software 			
USER INTERFACE	<ul style="list-style-type: none"> Touch screen PC 			
CONTROL	<ul style="list-style-type: none"> Touch screen with ScanLinux software. MarcaLite® software, with security key and Ethernet (TCP / IP) cable connection 			
MARKING HEAD	<ul style="list-style-type: none"> CO₂ sealed laser tube. RF Technology Wavelength: 10.6 µm 			
ACCESSORIES / OPTIONS	iCON 2 touch screen terminal - Photocell kit - Photocell - Encoder kit - Alarm Kit - Fume extractor - Plexiglass protection - Ground support - U-ARM assembly support 45x45 - Back pack - Tripod floor stand - Horizontal tripod grip - Vertical tripod grip - Table protection - Marking papers - Protection goggles			
ENVIRONMENTAL CONDITIONS	<ul style="list-style-type: none"> 10° C (50° F) to 40° C (104° F) external temperature Humidity < 95% without condensation Vibration free area 			



EASY TO
INSTALL



EASY TO
INTEGRATE



EASY TO
USE



EASY TO
MAINTAIN



EASY TO
PURCHASE

ID Technology
5051 North Sylvania Avenue, Suite 405, Fort Worth TX 76137
888.438.3242 www.idtechnology.com

 **ID TECHNOLOGY**